

## STAINLESS STEEL WORKTABLES

### TCF2-SERIES— WORKTABLE W/ BACKSPLASH, UNDERSHELF & CASTERS

PROJECT#: \_\_\_\_\_

ITEM# \_\_\_\_\_

MODEL# \_\_\_\_\_

#### SPECIFICATIONS:

##### ECONOMY— ETCF2-Series: 400 Series Stainless Top & 400 Series Stainless Undershelf

**TOP:** 16 GA.  
400 Series Stainless

**SHELF:** 18 GA.  
400 Series Stainless

**LEGS:** 1 5/8" Diameter  
Tubular Stainless Steel

**REINFORCING:** Formed Channel Fastened to  
Top. Legs Welded to Channel

##### STANDARD— STCF2-Series: 300 Series Stainless Top & 300 Series Stainless Undershelf

**TOP:** 16 GA.  
300 Series Stainless

**SHELF:** 18 GA.  
300 Series Stainless

**LEGS:** 1 5/8" Diameter  
Tubular Stainless Steel

**REINFORCING:** Formed Channel Fastened to  
Top. Legs Welded to Channel

##### HEAVY DUTY— HTCF2-Series: 300 Series Stainless Top & 300 Series Stainless Undershelf

**TOP:** 14 GA.  
300 Series Stainless

**SHELF:** 16 GA.  
300 Series Stainless

**LEGS:** 1 5/8" Diameter  
Tubular Stainless Steel

**REINFORCING:** Formed Channel Fastened to  
Top. Legs Welded to Channel

#### CONSTRUCTION:

- ◆ All Table Connection Points Fully Welded for Maximum Rigidity and Long Life
- ◆ Sound Deadening Between Top and Reinforcing Channel
- ◆ S/S Undershelf Welded to Legs
- ◆ Table is Polished to #3 Finish
- ◆ Working Height 36"
- ◆ Casters Rated at 250 Lbs each.

ECONOMY - ETCF2 - SERIES						
24" WIDE	QTY	30" WIDE	QTY	36" WIDE	QTY	LENGTH (INCHES)
ETCF2-2424		ETCF2-3024		ETCF2-3624		24
ETCF2-2430		ETCF2-3030		ETCF2-3630		30
ETCF2-2436		ETCF2-3036		ETCF2-3636		36
ETCF2-2442		ETCF2-3042		ETCF2-3642		42
ETCF2-2448		ETCF2-3048		ETCF2-3648		48
ETCF2-2454		ETCF2-3054		ETCF2-3654		54
ETCF2-2460		ETCF2-3060		ETCF2-3660		60
ETCF2-2466		ETCF2-3066		ETCF2-3666		66
ETCF2-2472		ETCF2-3072		ETCF2-3672		72
ETCF2-2478		ETCF2-3078		ETCF2-3678		78
ETCF2-2484		ETCF2-3084		ETCF2-3684		84
ETCF2-2490		ETCF2-3090		ETCF2-3690		90
ETCF2-2496		ETCF2-3096		ETCF2-3696		96
ETCF2-24102		ETCF2-30102		ETCF2-36102		102
ETCF2-24108		ETCF2-30108		ETCF2-36108		108
ETCF2-24114		ETCF2-30114		ETCF2-36114		114
ETCF2-24120		ETCF2-30120		ETCF2-36120		120

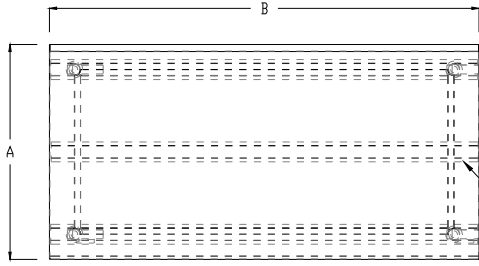
STANDARD - STCF2 - SERIES						
24" WIDE	QTY	30" WIDE	QTY	36" WIDE	QTY	LENGTH (INCHES)
STCF2-2424		STCF2-3024		STCF2-3624		24
STCF2-2430		STCF2-3030		STCF2-3630		30
STCF2-2436		STCF2-3036		STCF2-3636		36
STCF2-2442		STCF2-3042		STCF2-3642		42
STCF2-2448		STCF2-3048		STCF2-3648		48
STCF2-2454		STCF2-3054		STCF2-3654		54
STCF2-2460		STCF2-3060		STCF2-3660		60
STCF2-2466		STCF2-3066		STCF2-3666		66
STCF2-2472		STCF2-3072		STCF2-3672		72
STCF2-2478		STCF2-3078		STCF2-3678		78
STCF2-2484		STCF2-3084		STCF2-3684		84
STCF2-2490		STCF2-3090		STCF2-3690		90
STCF2-2496		STCF2-3096		STCF2-3696		96
STCF2-24102		STCF2-30102		STCF2-36102		102
STCF2-24108		STCF2-30108		STCF2-36108		108
STCF2-24114		STCF2-30114		STCF2-36114		114
STCF2-24120		STCF2-30120		STCF2-36120		120

HEAVY DUTY - HTCF2 - SERIES						
24" WIDE	QTY	30" WIDE	QTY	36" WIDE	QTY	LENGTH (INCHES)
HTCF2-2424		HTCF2-3024		HTCF2-3624		24
HTCF2-2430		HTCF2-3030		HTCF2-3630		30
HTCF2-2436		HTCF2-3036		HTCF2-3636		36
HTCF2-2442		HTCF2-3042		HTCF2-3642		42
HTCF2-2448		HTCF2-3048		HTCF2-3648		48
HTCF2-2454		HTCF2-3054		HTCF2-3654		54
HTCF2-2460		HTCF2-3060		HTCF2-3660		60
HTCF2-2466		HTCF2-3066		HTCF2-3666		66
HTCF2-2472		HTCF2-3072		HTCF2-3672		72
HTCF2-2478		HTCF2-3078		HTCF2-3678		78
HTCF2-2484		HTCF2-3084		HTCF2-3684		84
HTCF2-2490		HTCF2-3090		HTCF2-3690		90
HTCF2-2496		HTCF2-3096		HTCF2-3696		96
HTCF2-24102		HTCF2-30102		HTCF2-36102		102
HTCF2-24108		HTCF2-30108		HTCF2-36108		108
HTCF2-24114		HTCF2-30114		HTCF2-36114		114
HTCF2-24120		HTCF2-30120		HTCF2-36120		120



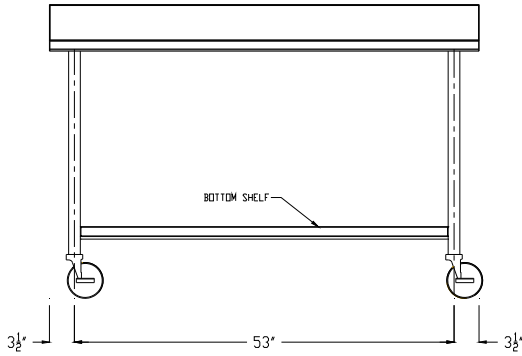
- Amtekco Industries - Columbus, OH —Phone: (800) 336-4677
- N. Wasserstrom & Sons - Columbus, OH —Phone: (800) 444-4697
- DCS IV - Peoria, AZ—Phone: (800) 592-3274
- GEN III - Fountain Inn, SC—Phone: (800)673-3339
- GKS - Garland, TX—Phone (972) 485-4579

PROJECT#: \_\_\_\_\_  
 ITEM# \_\_\_\_\_  
 MODEL# \_\_\_\_\_

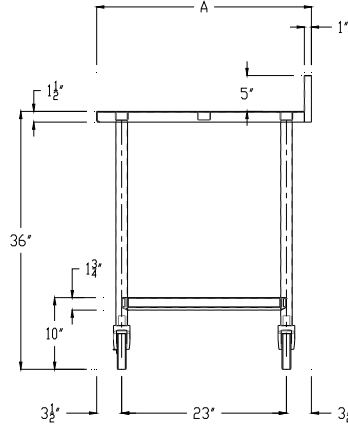


PLAN VIEW

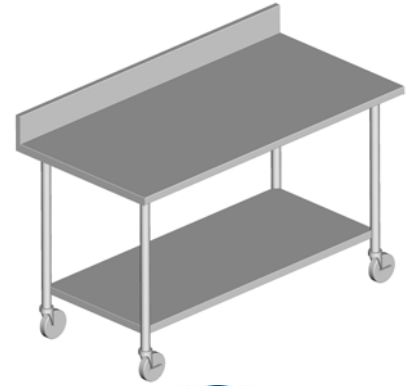
THIRD REINFORCING CHANNEL  
 APPLIED ON TABLES 30" OR  
 WIDER



ELEVATION



SIDE VIEW



◆ Tables At or Above 78" Will Require (3) Sets of Legs.

A WIDTH	B LENGTH	ETCF2 - SERIES 16 GA. 400 SERIES S/S TOP & 18 GA. 400 SERIES S/S UNDERSHELF	STCF2 - SERIES 16 GA. 300 SERIES S/S TOP & 18 GA. 300 SERIES S/S UNDERSHELF	HTCF2 - SERIES 14 GA. 300 SERIES S/S TOP & 16 GA. 300 SERIES S/S UNDERSHELF	#Of Legs	Product Weight (lbs)
<b>24" WIDE</b>						
24	24	ETCF2-2424	STCF2-2424	HTCF2-2424	4	42
24	30	ETCF2-2430	STCF2-2430	HTCF2-2430	4	45
24	36	ETCF2-2436	STCF2-2436	HTCF2-2436	4	50
24	48	ETCF2-2448	STCF2-2448	HTCF2-2448	4	61
24	60	ETCF2-2460	STCF2-2460	HTCF2-2460	4	71
24	72	ETCF2-2472	STCF2-2472	HTCF2-2472	4	82
24	84	ETCF2-2484	STCF2-2484	HTCF2-2484	6	94
24	96	ETCF2-2496	STCF2-2496	HTCF2-2496	6	114
24	108	ETCF2-24108	STCF2-24108	HTCF2-24108	6	131
24	120	ETCF2-24120	STCF2-24120	HTCF2-24120	6	148
<b>30" WIDE</b>						
30	24	ETCF2-3024	STCF2-3024	HTCF2-3024	4	45
30	30	ETCF2-3030	STCF2-3030	HTCF2-3030	4	49
30	36	ETCF2-3036	STCF2-3036	HTCF2-3036	4	52
30	48	ETCF2-3048	STCF2-3048	HTCF2-3048	4	68
30	60	ETCF2-3060	STCF2-3060	HTCF2-3060	4	79
30	72	ETCF2-3072	STCF2-3072	HTCF2-3072	4	92
30	84	ETCF2-3084	STCF2-3084	HTCF2-3084	6	105
30	96	ETCF2-3096	STCF2-3096	HTCF2-3096	6	126
30	108	ETCF2-30108	STCF2-30108	HTCF2-30108	6	146
30	120	ETCF2-30120	STCF2-30120	HTCF2-30120	6	165
<b>36" WIDE</b>						
36	24	ETCF2-3624	STCF2-3624	HTCF2-3624	4	47
36	30	ETCF2-3630	STCF2-3630	HTCF2-3630	4	55
36	36	ETCF2-3636	STCF2-3636	HTCF2-3636	4	64
36	48	ETCF2-3648	STCF2-3648	HTCF2-3648	4	75
36	60	ETCF2-3660	STCF2-3660	HTCF2-3660	4	88
36	72	ETCF2-3672	STCF2-3672	HTCF2-3672	4	104
36	84	ETCF2-3684	STCF2-3684	HTCF2-3684	6	120
36	96	ETCF2-3696	STCF2-3696	HTCF2-3696	6	139
36	108	ETCF2-36108	STCF2-36108	HTCF2-36108	6	164
36	120	ETCF2-36120	STCF2-36120	HTCF2-36120	6	188